



**POLICON**  
*Engineering & Manufacturing*

# *Hydraulic lift loader (mobile) 2.0*

## Hydraulic lift loader (mobile) 2.0

The equipment is used as a lifting device in the meat processing and food industry. The hydraulic lift is designed for lifting and turning cutter carts with a volume of 200 liters. The hydraulic lift is a frame that is welded from rectangular and square pipes, in the lower part of which is installed a mini-hydro station and a control Cabinet.



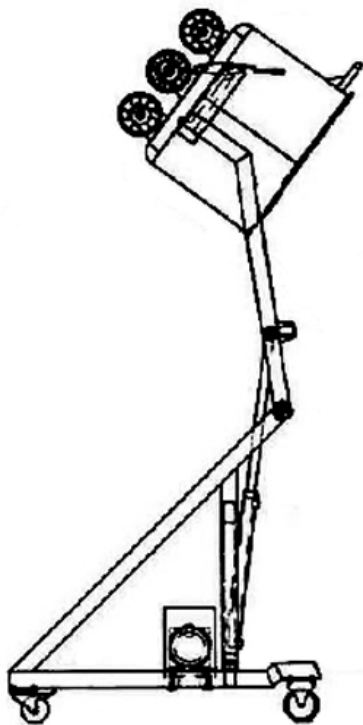
The tipper will lift the cart (200 liters) to the loading height of the hopper.  
The lift loader is made of food-grade stainless steel. Maximum tipping height up to 1900 mm.

## Technical Specification:

Basic parameters and dimensions; mm

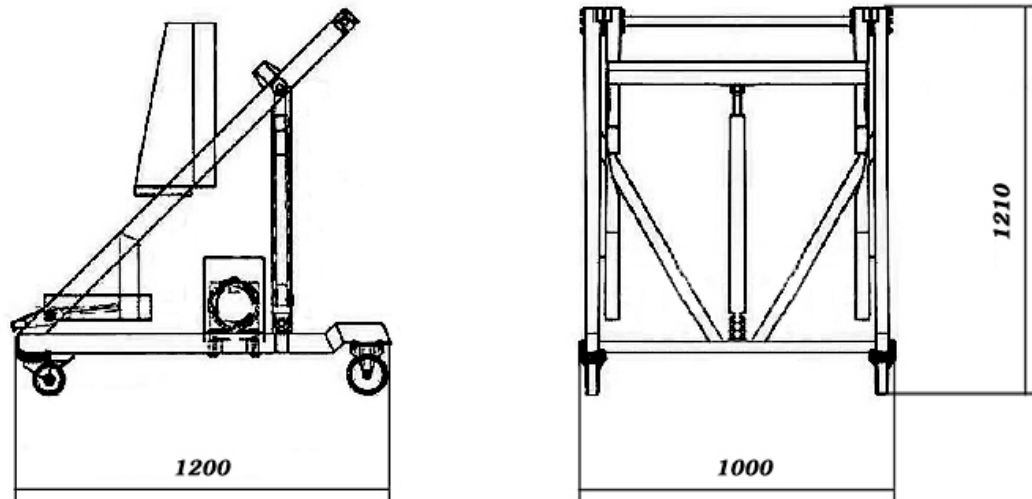
|                                |        |
|--------------------------------|--------|
| length.....                    | 1368 * |
| width.....                     | 1125 * |
| height.....                    | 1165 * |
| unloading height .....         | 1200 * |
| Working pressure, MPa.....     | 10     |
| Load capacity, kg.....         | 450    |
| Weight, not more than, kg..... | 140*   |

\* Depending on the tipping height, all dimensions change.



The tipper consists of the following main units:

- carts;
- capture;
- hydraulic equipment



## The principle of operation of the lift:

In the initial state, the lift grip is in a horizontal position. In this position, the container is placed on the support surfaces of the gripper.

When the «Up» button is pressed, the container is lifted and tilted over. When the «Down» button is pressed, the container returns to its original position.

### Additional options:

- Four support legs.
- Emergency stop.

This product can be manufactured according to the technical specifications of the customer, taking into account its predetermined parameters and features.

## **Food Machinery**

**Machinery for tires, rubber, plastics manufacturing**

**Modernization and automation of production**

**Non-standart equipment**

**Production of spare parts, components, assemblies**

**Outsourcing services - repair and maintenance of  
equipment**

**Global engineering solutions**



**Policon JSCo**

**194 Lermontov Str, Omsk 644009, Russia**

**Tel./Fax: +7 (3812) 36 74 12, 36 74 02, 48 48 30**

**e-mail: [info@policon-rt.ru](mailto:info@policon-rt.ru)**

**[www.policon-rt.ru](http://www.policon-rt.ru)**